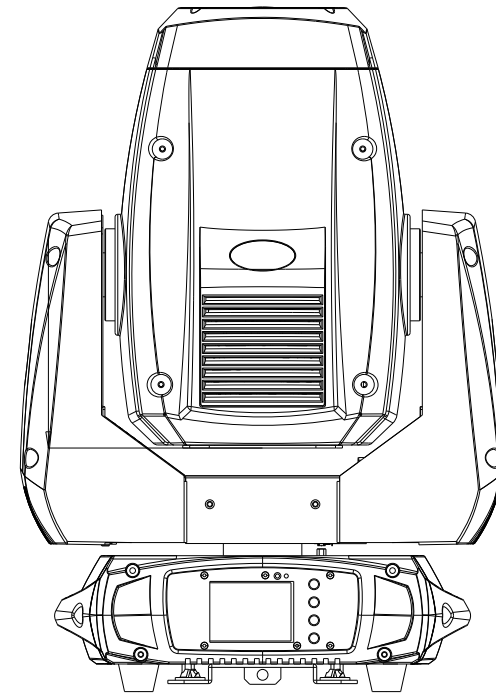


Show.Spot [||]



USER MANUAL

- Be sure to read the USER MANUAL carefully before using this product.
- Be sure to keep the USER MANUAL properly for future needs.
- Use this product correctly when you can fully understand the User Manual

10. Maintenance and cleaning

It is absolutely essential that the fixture is kept clean and that dust, dirt and smoke-fluid residues must not build up on or within the fixture. Otherwise, the fixture's light-output will be significantly reduced. Regular cleaning will not only ensure the maximum light-output, but will also allow the fixture to function reliably throughout its life. A soft lint-free cloth moistened with any good glass cleaning fluid is recommended, under no circumstances should alcohol or solvents be used!

DANGER !
Disconnect from the mains before starting any maintenance work

The front objective lens will require weekly cleaning as smoke-fluid tends to building up residues, reducing the light-output very quickly. The cooling-fans should be cleaned monthly.

The interior of the fixture should be cleaned at least annually using a vacuum-cleaner or an air-jet. Remove dust and dirt from the fans and cooling vents using a soft brush and vacuum-cleaner.

Important! Check the air filters periodically and clean before they become clogged!

Clean two air filters placed in the fixture's covers and two in the fixture base. Use a vacuum cleaner, compressed air or you can wash them and put back dry.

After replacing the air filters, reset the elapsed time counter in the menu "Information" (Information--->Air Filters--->Elapsed Time).

Replacing the fuse. Before replacing the fuse, unplug mains lead.

- 1) Remove the fuse holder on the rear panel of the base with a fitting screwdriver from the housing (anti-clockwise).
- 2) Remove the old fuse from the fuse holder.
- 3) Install the new fuse in the fuse holder (only the same type and rating).
- 4) Replace the fuseholder in the housing and fix it.

1. Safety instructions

Thank you for choosing our Show.Spot []. For your own safety, Please read this user manual carefully.

BEFORE YOU INITIAL START - UP!

CAUTION!
Be careful with your operations.
With a high voltage you can suffer a dangerous electric shock when touching the wires!

This device has left our premises in absolutely perfect condition. In order to maintain this condition and to ensure a safe operation, it is absolutely necessary for the user to follow the safety instructions and warning notes written in this manual.

CAUTION!
Keep this device away from rain and moisture!
Unplug mains lead before opening the housing!

Important:

The manufacturer will not accept liability for any resulting damages caused by the non-observance of this manual or any unauthorized modification to the device.

Please consider that damages caused by manual modifications to the device are not subject to warranty.

During the operation the housing becomes hot). Allow the fixture to cool approximately 20 minutes prior to manipulate with it.

Make sure that the available voltage is not higher than stated on the rear panel.

WARNING! This unit does not contain an ON/OFF switch. Always disconnect power input cable to completely remove power from unit when not in use or before cleaning or servicing the fixture.

Make sure that the power-cord is never crimped or damaged by sharp edges. Check the device and the power-cord from time to time.

Always disconnect from the mains, when the device is not in use or before cleaning it. Only handle the power-cord by the plug. Never pull out the plug by tugging the power cord.

This device falls under protection class I. Therefore it is essential to connect the yellow/green conductor to earth.

The electric connection, repairs and servicing must be carried out by a qualified employee.

Do not connect this device to a dimmer pack.

Do not switch the fixture on and off in short intervals as this would reduce the lamp's life.

During the initial start-up some smoke or smell may arise. This is a normal process and does not necessarily mean that the device is defective.

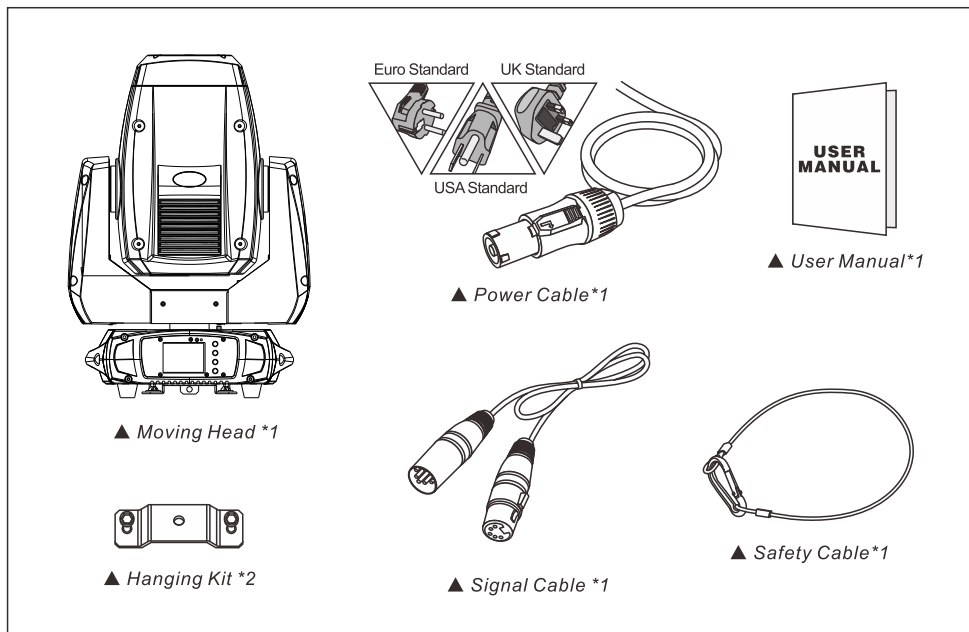
Do not touch the device's housing bare hands during its operation (housing becomes hot)!

For replacement use lamps and fuses of same type and rating only.

CAUTION ! EYE DAMAGES !
Avoid looking directly into the light source
(meant especially for epileptics) !

2.UNPACKING

The Show.Spot [] adopts a 250W white LED lamp which features high brightness and stability. Please carefully unpack it when you receive the fixture and check whether it is damaged during the transportation. And please check whether the following items are included inside the box:



The Show.Spot [] is made of a new type of high temperature strength of engineering plastics and cast aluminum casing with nice outlook . The fixture is designed and manufactured strictly following CE standards, complying with international standard DMX512 protocol. It's available independently controlled and linkable with each other for operation. And it is applicable for large-scale live performances, theater, studio, nightclubs and discos.

This manual covers the important information on installation and applications. Meanwhile, please keep this manual well for future needs.

16	14	16		Special function
			0..79	No function
			80..84	All Motorreset
			85..87	Scan motorreset
			88..90	Colormotorreset
			91..93	Gobomotorreset
			94..96	Shutter&Dimmemotorreset
			97..99	Othermotorreset
			100..119	Internaprogram1
			120..139	Internaprogram2
			140..159	Internaprogram3
			160..179	Internaprogram4
			180..199	Internaprogram5
			200..219	Internaprogram6
220..239	Internaprogram7			
240..255	InternaSoundprogram1			
Vector Mode		Value	Function	
		17		Color Time
		0..255		max to min speed
		18		Gobo Time
		0..255		max to min speed

9	7	9		Shutter
			0..31	Shutterclosed
			32..63	shutteropen
			64..95	Strobeeffects low to fast
			96..127	shutteropen
			128..159	Pulseeffect in sequencess low to fast
			160..191	shutteropen
			192..223	Randomstrobeeffects low to fast
			224..255	shutteropen
10	8	10		Dimmer
			0..255	Dimmer0%...100%
11	9	11		Focus
			0..255	In(near)to out(far)
12	10	12		Zoom
			0..255	In(near)to out(far)
13	11	13		Rotating prism, Prism
			0..5	OFF
			6..127	ON
			128..189	Forwardrotation from fast to slow
			190..193	Prism rotation stop
			194..255	Forwardrotation from fast to slow
14	12	14		Frost
			0..199	Frost OFF
			200..255	Frost ON
15	13	15		Speed pan/tilt
			0..225	max to min speed
			226..235	blackout by movement
			236..245	blackout by all wheel changing
			246..255	no function

3. TECHNICAL INFORMATION

SPECIFICATIONS:

- Led Quantities: A*250W white LED
- lamp.7500K.50000 hours life spa
- Input Voltage: AC90-260V 50/60Hz
- Power Consumption: 320W
- Control Signal: DMX512, master-slave and sound activated or auto operation (8 built-in programs)
- Control Channel: 16/14/18 DMX channels USITT DMX-512
- Dimensions: 357(D)*210(W)*505(H)mm
- Packing Dimensions: 410(D)*450(W)*520(H)mm
- Net Weight: 14.2kgs
- Gross Weight: 17.42kgs

FEATURES:

- Low power consumption
- Linear motorized zoom with 12°-36° beam angle
- 2.5m-15m electric focus
- 3-Facet prism with variable speed and direction
- Frost Filter (Hybrid effect for wash)
- 0-100% Linear LED dimmer
- DMX512, master-slave and sound activated or auto operation
- 2.4" TFT LCD display (320*240pix) with 4 control buttons
- Powercon IN/OUT
- 5-Pin XLR connectors IN/OUT
- IP20 protection rating
- 55dB at 3' dB rating
- 2*1/4 turn fastening Omega clamps
- 25T/sec high speed LED shutter/strobe effect with variable speed
- Preset variable/random strobe and dimming pulse effect
- 1* Safety attachment point

MOVEMENT:

- 8/16 bit smooth and precise resolution for PAN/TILT
- movement 540°/630°/360° PAN and 270°/180°/90° TILT movement

COLORS:

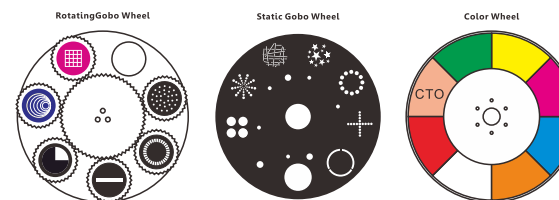
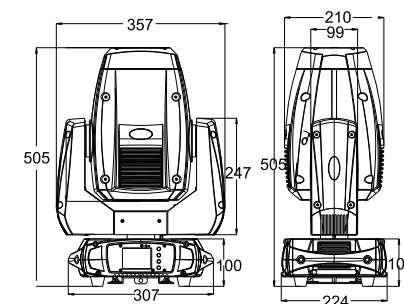
- 1 Color wheel with 7 colors plus open
- Scan position memory, auto reposition after unexpected movement

GOBOS:

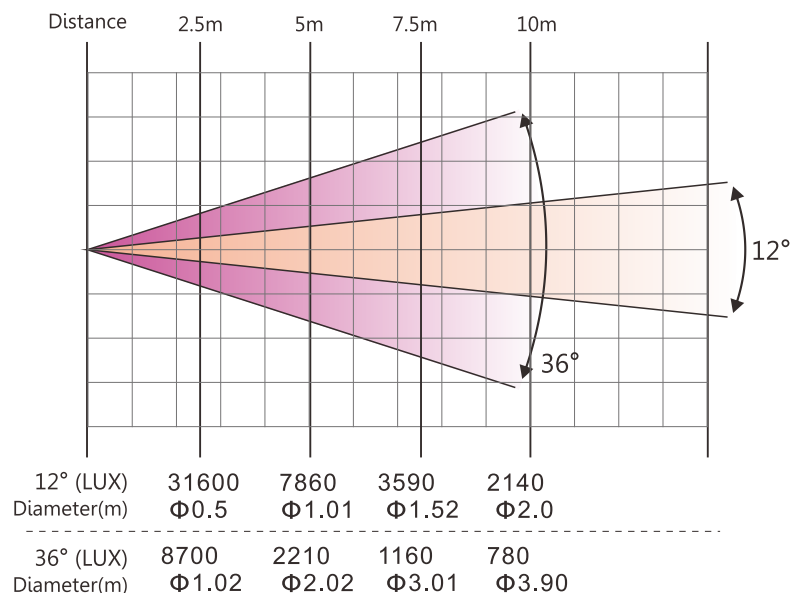
- 1 Static gobo wheel with 8 gobos plus open
- 1 Rotatable gobo wheel with 6 rotatable and interchangeable glass gobos plus open with speed adjustable, stream effect, dithering
- effect and rotatable clockwise or anticlockwise
- Rotatable gobo wheel can be Gobo indexing
- Gobo size 22.9mm (external dimensions)/18mm (inner dimensions)
- Gobo overlay (gobo morphing)

FUNCTION:

- Improved optics and flat beam field
- Variable direction rainbow effect with speed adjustable
- Fan cooling system
- Constant temperature readout and management function
- -35°C ~ 45°C max ambient temperature



4.PHOTOMETRICS DIAGRAM



5.OPERATION INSTRUCTIONS

- The Show.Spot [] is for on-site decoration purpose.
- Don't turn on the fixture if it's been through severe temperature difference like after transportation because it might damage the light due to the environment changes. So make sure to operate the fixture until it is in normal temperature.
- This light should be keep away from strong shaking during any transportation or movement.
- Don't pull up the light by only the head, or it might cause damages to the mechanical parts.
- Don't expose the fixture in overheat, moisture or environment with too much dust when installing it. And don't lay any power cables on the floor. Or it might cause electronic shock to the people.
- Make sure the installation place is in good safety condition before installing the fixture.
- Make sure to put the safety chain and check whether the screws are screwed properly when installing the fixture.
- Make sure the lens are in good condision.It's recommended to replace the units if there are any damages or severe scratch.
- Make sure the fixture is operated by qualified personnel who knows the fixture before using.
- Keep the original packages if any second shipment is needed.
- Don't try to change the fixtures without any instruction by the manufacturer or the appointed repairing agencies.
- It is not in warranty range if there are any malfunctions from not following the user manual to operate or any illegal operation, like shock short circuit, electronic shock , lamp broke, etc.

6	4	6		Gobo wheel 1
			0..9	Open
			10..19	gobo1
			20..29	gobo2
			30..39	gobo3
			40..49	gobo4
			50..59	gobo5
			60..69	gobo6
			70..89	Gobo1 shakeslowto fast
			90..109	Gobo2 shakeslowto fast
			110..129	Gobo3 shakeslowto fast
			130..149	Gobo4 shakeslowto fast
			150..169	Gobo5 shakeslowto fast
170..189	Gobo6 shakeslowto fast			
190..255	Rot.gobowheelcont.rotationslowto fast			
7	5	7		Gobo 1 rotation
			0..127	Goboindexing
			128..189	Forwardsgoborotationfromfastto slow
			190..193	Goborotationstop
194..255	Backwardsgoborotationfromslowto fast			
8	6	8		Gobo wheel 2
			0..9	Holewithspot
			10..19	Gobo1
			20..29	Gobo2
			30..39	Gobo3
			40..49	Gobo4
			50..59	Gobo5
			60..69	Gobo6
			70..79	Gobo7
			80..89	Gobo8
			90..101	Gobo1 shakeslowto fast
			102..113	Gobo2 shakeslowto fast
			114..125	Gobo3 shakeslowto fast
			126..137	Gobo4 shakeslowto fast
			138..149	Gobo5 shakeslowto fast
			150..161	Gobo6 shakeslowto fast
162..173	Gobo7 shakeslowto fast			
174..185	Gobo8 shakeslowto fast			
186..255	Gobowheelrotationfromslowto fast			

9.DMX PROTOCOL

Mode/Channel			Value	Function
16b	8b	De		
1	1	1		Pan
			0..255	PAN Movement
2		2		Pan-fine
			0..255	Finecontrolof Pan movement
3	2	3		Tilt
			0..255	TiltMovement
4		4		Tilt-fine
			0..255	Finecontrolof Tiltmovement
5	3	5		Color wheel
			0..15	Open/ white
			16..31	Color1
			32..47	Color2
			48..63	Color3
			64..79	Color4
			80..95	Color5
			96..111	Color6
			112..127	Color7
			128..189	Forwardrainboweffectfromfast to slow
			190-193	Colorrotationstop
			194..255	Backwardrainboweffectfromslow to fast
			5	3
0..7	Open/ white			
8..15	White + Color1			
16..23	Color1			
24..31	Color1 + Color2			
32..39	Color2			
40..47	Color2 + Color3			
48..55	Color3			
56..63	Color3 + Color4			
64..71	Color4			
72..79	Color4 + Color5			
80..87	Color5			
88..95	Color5 + Color6			
96..103	Color6			
104..111	Color6 + Color7			
112..119	Color7			
120..127	Color7 + White			
128..189	Forwardrainboweffectfromfast to slow			
190-193	Colorrotationstop			
194..255	Backwardrainboweffectfromslow to fast			

6.INSTALLATIONS

Cautions:

For added protection mount the fixtures in areas outside walking paths, seating areas, or in areas where the fixture might be reached by unauthorized personnel.

Before mounting the fixture to any surface, make sure that the installation area can hold a minimum point load of 10 times the device's weight.

Fixture installation must always be secured with a secondary safety attachment, such as an appropriate safety cable.

Never stand directly below the device when mounting, removing, or servicing the fixture.

from a ceiling, or set on a flat level surface (see illustration below). Be sure this fixture is kept at least 0.5m (1.5 f t) away from any flammable materials (decoration etc.).

Always use and install the supplied safety cable as a safety measure to prevent accidental damage and/or injury in the event the clamp fails.

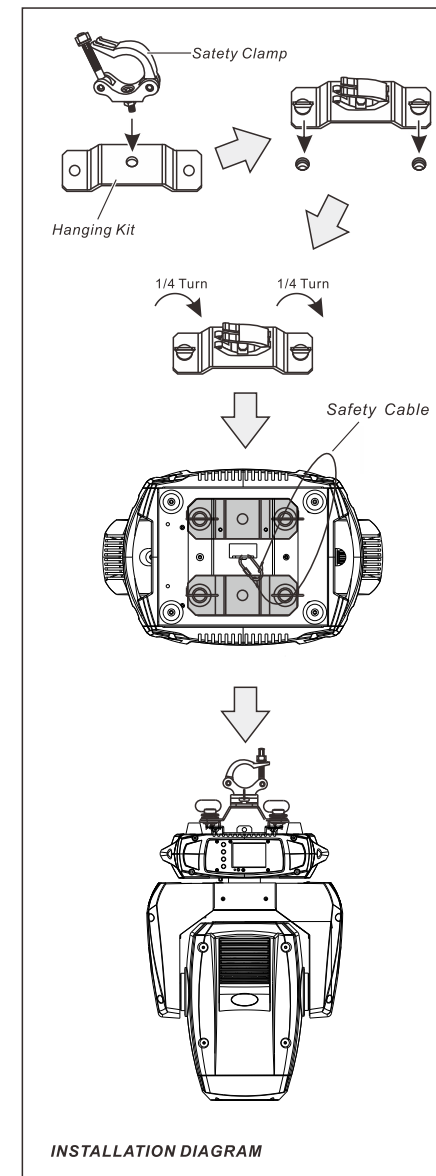
Mounting points:

Overhead mounting requires extensive experience, including amongst others calculating working load limits, a fine knowledge of the installation material being used, and periodic safety inspection of all installation material and the fixture. If you lack these qualifications, do not attempt the installation yourself. Improper installation can result in bodily injury.

Be sure to complete all rigging and installation procedures before connecting the main power cord to the appropriate wall outlet.

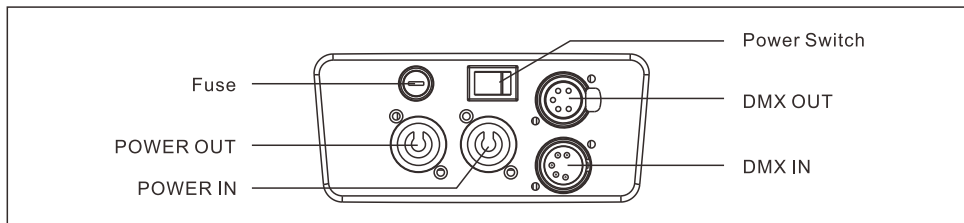
Clamp Mounting:

The Show.Spot [] provides a unique mounting bracket assembly that integrates the bottom of the base, and the safety cable rigging point in one unit (see the illustration below). When mounting this fixture to truss be sure to secure an appropriately rated clamp to the included omega bracket using a M10 screw fitted through the center hole of the "Hanging Kit". As an added safety measure be sure to attached at least one properly rated safety cable to the fixture using one of the safety cable rigging point integrated in the base assembly .



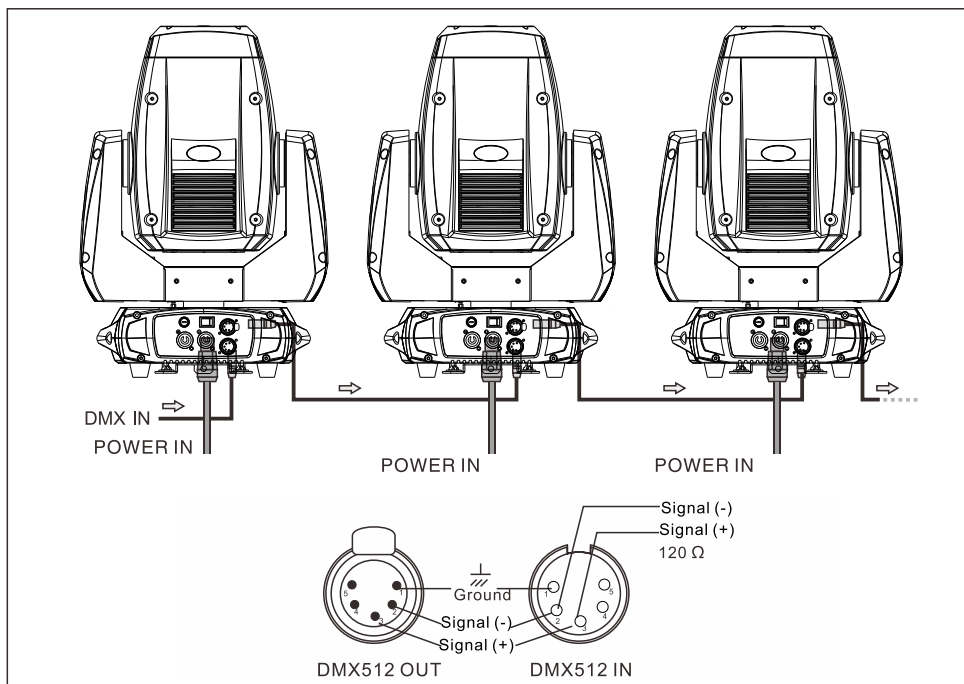
INSTALLATION DIAGRAM

7.CONTROL CONNECTION

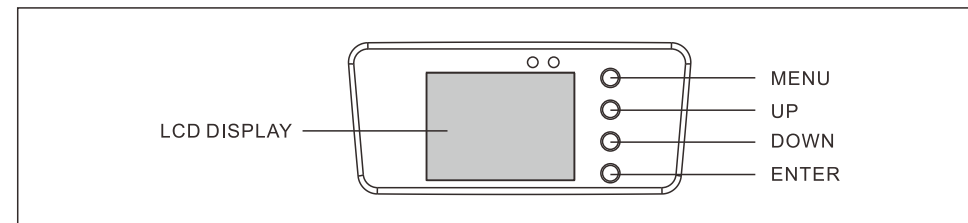


Connect the provided XLR cable to the female 5-pin XLR output of your controller and the other side to the male 5-pin XLR input of the moving head. You can chain multiple Moving head together through serial linking. The cable needed should be two core, screened cable with XLR input and output connectors. Please refer to the diagram below. DMX-512 connection with DMX terminator.

For installations where the DMX cable has to run a long distance or is in an electrically noisy environment, such as in a discotheque, it is recommended to use a DMX terminator. This helps in preventing corruption of the digital control signal by electrical noise. The DMX terminator is simply an XLR plug with a resistor connected between pins 5, which is then plugged into the output XLR socket of the last fixture in the chain. Please see illustrations below.



8.MENU OPERATIONS



		MENU		Description
Function Mode	Dmx Address	A001~AXXX		DMX address setting
	Channel Mode	CH16 MODE		Standard mode
		CH14MODE		Vector mode
		CH18 MODE		Extended mode
Option	Auto Run	Internal Program 1~8	Master/Alone	Auto run
	Music Control	Internal Program 1~8	Master/Alone	Sound Control
Option	Reset Default	Yes/No		Reset Default
	Signal Set	Wire DMX		Wire DMX
		Wireless DMX		Wireless DMX
		Act WDMX & Out		Act WDMX & Out
	Pan / Tilt	Reverse Pan (On/Off)		Reverse Pan
		Reverse Tilt (On/Off)		Reverse Tilt
		Select Pan 540°/360°/630°	Pan Degree, default is 540°	
	UI SET	Select Tilt 270°/90°/180°	Tilt Degree, default is 270°	
		Mic sensitivity 0~99%	MIC Sensitivity Setting	
		OFF Signal Mode (On/Off)	OFF at original status and ON at reset status when no DMX signal	
Half Color Wheel(On/Off)		Open half color function (Default: off)		
PrismRot Fast (On/off)		Select prism rotation speed (Default: off)		
Information	Temperature	XXX°C/°F		Current Temperature
	Software Version	V1.0~V9.9		Software Version
Manual Control	Reset	Total Reset		Total Reset
		Pan/Tilt Reset		Pan/Tilt Reset
		Color Reset		Color Reset
		Gobo Reset		Gobo Reset
		The Others Reset		The Others Reset
	Channel	PAN=XXX.....		Channel Control
Advanced Access Code 088)	Calibration	PAN=XXX.....		Calibration

Special button function description: press the UP and DOWN buttons at the same time, for 3 seconds, the display direction is reversed