

10.Maintenance Cleaning

The following points have to be considered during the inspection:

- 1)All screw for installing the devices or parts of the device have to be tightly connected and must be corroded.
- 2)There must not any deformations on the housing,color lenses,fixations and installation spots(Ceiling,suspension,trussing)
- 3)Mechanically moved parts must not show any traces of wearing and must not rotate with unbalances.
- 4)The electric power supply cables must not show any damage,material fatigue or sediments

Futher instruction depending on the installation spot and usage have to be adhered by a skilled installer and any safety problems have to be removed.



CAUTION!

Disconnect from mains before starting maintenance operation.

In order to male the lights in good condition and extend the life time, we suggest a regular clearning to the lights.

- 1)Clean the inside and outside lens each week to avoid the weakness of the lights due to accumulation of dust.
- 2)Clean the fan each week.
- 3)A detail electric check by approved electrical engineer each three month, make sure the circuit contacts are good condition, prevent the poor contact of circuit from overheating.

We recommend a frequent cleaning of the device.Please use a mosit,lint-free cloth.Never use alcohol or solvents.
There are no seviceable parts inside the device.Please refer to the instructions under Installation instructions.

CCPRO

Vader Profile



USER MANUAL

1.Unpacking

Thank you for choosing Vader Profile .For your own safty,please read this mannual before installing the device.This manual covers the important information on installation and applications.Please operate the fixture with following instructions.Meanwhile,please keep this manual well for future needs.

The Vader Profile is made of new type of high temperature strength of engineer plastics and cast aluminum casing with nice outlook.The fixture is designed and manufactured strictly following CE standards,complying with international standard DMX 512 PROTOCOL.It`s available independently controlled and linkable with each other for coperation.And it is applicable for large-scable liveperformance,theater,studio,nightclubs and disco.

Vader Profile adopts powerful 580W LED which features high brightness and stability.Please carefully unpack it when you receive the fixture and check whether it is damaged during the transportation.And please check whether the following items are including inside the box:

Moving head light -----One
Omega-----Two
Power Cable-----One
User Manual-----One

FEATURE

- Prism:2 pcs rotating prism(4 facet and 4 facet linear)
- Iris: Linear adjustable with macro
- Soft lighting:1pcs independent scrim
- Focus: DMX 512 linear focus
- Dimmer: 0-100% linear dimmer
- Strobe: Electronic strobe,0.3-20Times/SEC
- Zoom: Smooth and fast speed
- Angle:6.5°-42°linear adjustment
- Prism angel can option
- Control mode: DMX512,Protocols RDM, Wireless and Art-Net
- Standard mode 35 channels, Sound control mode, Stand-alone, Self-inspection mode

FRAMING SYSTEM

- Motorized framing system with 4 focal planes
- 4 Blades that move separately
- Smooth, flexible blade movements at variable speed
- Framing system indexable 180 degrees

OTHER FUNCTION

- DMX Software update
- Show software version number
- Intelligent control of wind speed
- Display lamps and lanterns use time
- 100% brightness without stroboscopic problem
- Manual programming function
- Manual fine calibration function
- DMX and RDM data in/out,artnet,wireless

POWER

- Input voltage:220V~240V AC 50/60Hz
- Rate power:800W@220V

HOUSING

- Intellectual property rights of appearance and structure design
- Environmentally friendly flame retardant materials
- High temperature resistant engineering plastics

IP GRADE

- IP:20

DIMENSION AND WEIGHT

- Carton size:770*470*540MM
- Flight case size(2in1):940X470X870 MM
- Net weight:25KG

26	26	Flame On/Off	0-7	No Flame Effect
			8-255	Flame Effect Linear Insertion
27	27	Flame Wheel	0-7	No Effect
			8-127	Rotate Left
			128-135	Rotate Stop
			136-255	Rotate Right
28		Frame 1A	0-255	
29		Frame 1B	0-255	
30		Frame 2A	0-255	
31		Frame 2B	0-255	
32		Frame 3A	0-255	
33		Frame 3B	0-255	
34		Frame 4A	0-255	
35		Frame 4B	0-255	
36		Frame Angle	0-7	No Effect
			8-239	Angle
			240-255	Rotate Left And Right
37		Frame Angle Fine	0-255	
38		Frame Macro	0-3	No Effect
			4-255	Total 63 Effects(One Effect Per 4)
39	28	Scan Speed	0-255	Fast To Slow
40	29	Control	0-19	No Used
			20-29	Reset All
			30-39	Reset Pan, Tilt
			40-49	Reset Colour, Gobo, Cmy, Cto
			50-59	Reset Zoom, Focus, Prism, Frost
			60-69	Reset Flame, Iris, Frame
			70-74	Display Default
			75-79	Display Off(Don'T Keep After Shutdown)
			80-84	Display On(Don'T Keep After Shutdown)
			85-89	Fan Speed Low(Keep After Shutdown)
			90-94	Fan Speed Medium(Keep After Shutdown)
			95-99	Fan Speed High(Keep After Shutdown)

Please hold the value for more than 8 seconds to take effect, and then return to 0 to avoid repeated activation.

9. Specification

OPTICS

- Light Source :580W White LED Module
- Lumen: 20,500
- Lifetime: 50000 Hours
- Color temperature:7000K
- CRI: at least 90, CT 6500K

MOVEMENT

- Pan movement:540°(16 bit)
- Tilt movement :270°(16 bit)
- Automatic reset function

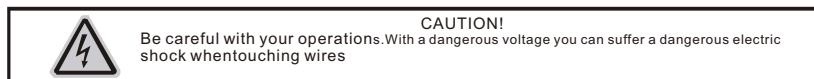
COLORS

- Linear CMY+CTO
- Colors wheel:1+6colors

GOBOS

- Gobos wheel:1pcs rotation Gobo wheel +1pcs fixed Gobo wheel
- 6 changeable Gobos, be installed glass pattern and a metal piece
- The bidirectional variable rotation, index functions, Bi-directional changeable speed shake effect, changeable speed and flow effect
- Animation wheel(interchangeable with fixed gobo wheel)

2. Safety instructions



This device has left the factory in perfect condition. In order to maintain this condition to ensure a safe operation, it is absolutely necessary for the user to follow the safety instructions and warning notes written in this user manual.

If the device has been exposed to temperature change due to environmental changes, do not switch it on immediately. The arising condensation could damage the device. Leave the device switched off until it has reached room temperature.

3. Operate on instruction

- The moving head is for beam spot wash effect for onsite decoration purpose.
- Don't turn on the fixture if it's been through severe temperature difference like after transportation, because it might damage the light due to the environment changes.
- So make sure to operate the fixture until it is normal temperature.
- This light should be kept away from strong shaking during any transportation or movement.
- Don't pull up the light by only the head, or it might cause damages to the mechanical parts.
- Don't expose the fixture in overheat, moisture or environment with too much dust when installing it.
- And don't lay any power cables on floor. Or it might cause electronic shock to the people.
- Make sure the installation place is in good safety condition before installing the fixture.
- Make sure to put the safety chain and check whether the screws are screwed properly when installing the fixture.
- Make sure the lens are in good condition. It's recommended to replace the units if there are any damages or severe scratches.
- Make sure the fixture is operated by qualified person who knows the fixture before using.
- Keep the original packages if any second shipment is needed.
- Don't try to change the fixtures without any instruction by the manufacturer or the appointed repairing agencies.
- It is not in warranty range if there are malfunctions from not following the user manual to operate or any illegal operation, like shock short circuit, electronic shock, lamp broke, etc.

4. Mounting and Installation

Cautions:

For added protection mount the fixture in areas outside walking paths, seating areas, or in areas where the fixture might be reached by unauthorized personnel. Before mounting the fixture to any surface, make sure that the installation area can hold a minimum point load of 10 times the device's weight. Fixture installation must always be secured with a secondary safety attachment, such as an appropriate safety cable.

Never stand directly below the device when mounting, removing, or serving the fixture from a ceiling, or set on a flat level surface (see illustration below). Be sure this fixture is kept at least 0.5m (1.5ft) away from any flammable materials (decoration etc.)

Always use and install the supplied safety cable as a safety measure to prevent accidental damage and/or injury in the event the clamp fails.

Mounting points:

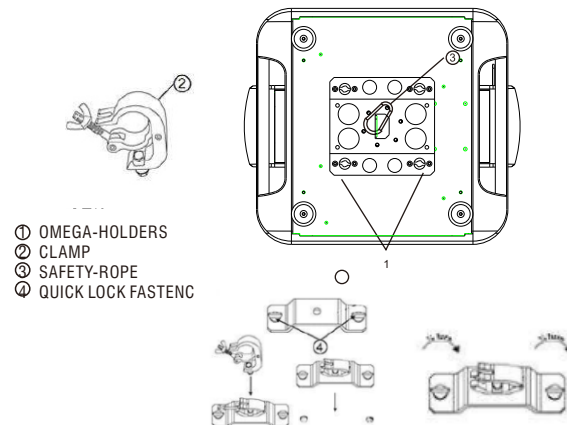
Overhead mounting requires extensive experience, including amongst others calculating working load limits, a fine knowledge of the installation material being used, and periodic safety inspection of all installation material and the fixture.

If you lack these qualifications, do not attempt the installation yourself. Improper installation can result in bodily injury.

Be sure to complete all rigging and installation procedures before connecting the main power cord to the appropriate wall outlet

Clamp mounting:

The Vader Profile provides a unique mounting bracket assembly that integrates the bottom of the base, the included OMEGA BRACKET, and the safety cable rigging point in one unit (See the illustration below). When mounting this fixture to truss be sure to secure an appropriately rated clamp clamp to the included omega bracket using a M10 screw fitted through the center hole of the OMEGA BRACKET.



11	11	Rotating gobo	0~7	No Gobo
			8~15	Gobo1
			16~23	Gobo2
			24~31	Gobo3
			32~39	Gobo4
			40~47	Gobo5
			48~55	Gobo6
			56~63	No Gobo
			64~71	Gobo1 Shake From Slow To Fast
			72~79	Gobo2 Shake From Slow To Fast
			80~87	Gobo3 Shake From Slow To Fast
			88~95	Gobo4 Shake From Slow To Fast
			96~103	Gobo5 Shake From Slow To Fast
			104~111	Gobo6 Shake From Slow To Fast
			112~135	No Gobo
			136~195	Rotate Left From Fast To Slow
			196~255	Rotate Right From Slow To Fast
12	12	Gobo rotation	0~3	No effect
			4~123	Rotating gobo angle
			124~187	Rotate left
			188~191	Stop
			192~255	Rotate right
13	13	Dimmer	0~255	
14	14	Dimmer fine	0~255	
15	15	Strobe	0~3	Open
			4~67	Strobe 1
			68~99	Strobe 2
			100~131	Strobe 3
			132~175	Strobe 4
			176~247	Strobe 5
			248~251	Random strobe1
			252~255	Random strobe2
16	16	Dimmer mode	0~63	Refresh rate 1200(dimmer no delay)
			64~127	(dimmer auto delay)
			128~191	Refresh rate 13672(dimmer no delay)
			192~255	(dimmer auto delay)
17	17	Prism 1	0~31	No prism
			32~63	Prism 1 on
18	18	Prism2	0~31	No Prism
			32~255	Prism1 On
19	19	Prism Rotation	0~3	Prism Is 0
			4~123	Prism Angle
			124~187	Rotate Left
			188~191	Stop
			192~255	Rotate Right
20	20	Zoom	0~255	
21	21	Zoom Fine	0~255	
22	22	Focus	0~255	
23	23	Focus Fine	0~255	
24	24	Iris	0~127	Open To Close
			128~135	Close
			136~173	Iris Movement 1
			174~211	Iris Movement 2
			212~249	Iris Movement 3
			250~255	Close
25	25	Frost	0~9	No Effect
			10~255	Liner Frost

Note:

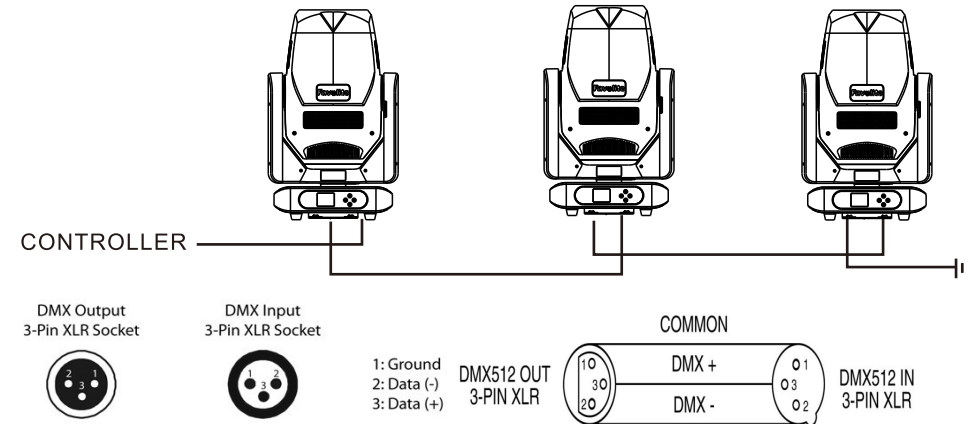
1. Above all projects to the actual lighting shall prevail, no notice if there is further modification;
2. The programming function provides only a very limited operation, in the case of no control units to use. Generally do not recommend the use of manual programming;
3. In the absence of the DMX512 signal, only need to set up first items, namely the address code can be used lamps.

8. 29/40 Control Channels

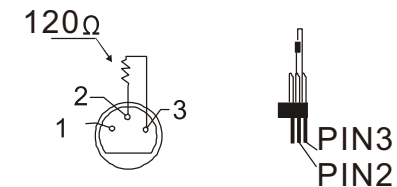
Full Mode	Without Framing Mode	Function	Value	Feature
1	1	Pan	0~255	
2	2	pan fine	0~255	
3	3	Tilt	0~255	
4	4	Tilt fine	0~255	
5	5	Colour wheel	0~63	6 colours
			64~221	Colour Arbitrary positioning
			222~239	Rotate left
			240~255	Rotate right
6	6	Cyan	0~255	
7	7	Magenta	0~255	
8	8	Yellow	0~255	
9	9	Colour temperature	0~255	
10	10	Fixed gobo	0~7	No gobo
			8~15	Gobo1
			16~23	Gobo2
			24~31	Gobo3
			32~39	Gobo4
			40~47	Gobo5
			48~55	Gobo6
			56~63	Gobo7
			64~71	Gobo8
			72~79	Gobo1 Shake From Slow To Fast
			80~87	Gobo2 Shake From Slow To Fast
			88~95	Gobo3 Shake From Slow To Fast
			96~103	Gobo4 Shake From Slow To Fast
			104~111	Gobo5 Shake From Slow To Fast
			112~119	Gobo6 Shake From Slow To Fast
			120~127	Gobo7 Shake From Slow To Fast
			128~135	Gobo8 Shake From Slow To Fast
			136~143	No Gobo
			144~199	Rotate Left From Fast To Slow
			200~255	Rotate Right From Slow To Fast

5. DMX 512 Control connection

Connect the provide XLR cable to the female 3 pin XLR Output of your control and the other side to the male 3-pin XLR input of the moving head, You can chain multiple Moving head together through serial linking. The cable needed should be two core, screened canle with XLR input and output connectors. Please refre to the diagram below. DMX-512 Connection with DMX terminator.

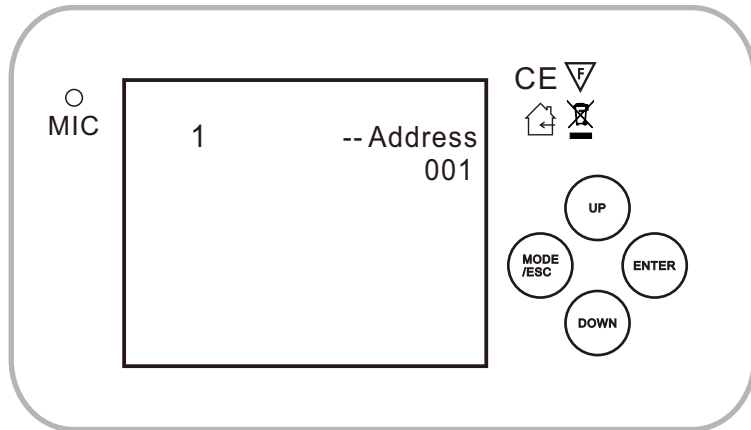


For installations where the DMX cable has to run a long distance or is in an electrically noisy environments such as in a disco, it is recommended to use a DMX terminator. This helps in preventing corruption of the digital control signal by electrical noise. The DMX terminator is simply an XLR plug with a 120 resistor connected between pins 2 and 3, which is then plugged into the output XLR Socket of the last fixture in the chain. Please see illustrations

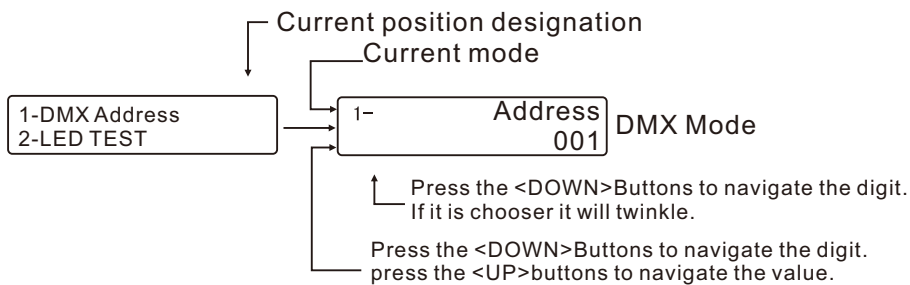


The control Display

6. Top menu, present the current operation



Press the <UP> or <DOWN> button repeatedly until you reach the desired menu function. Press the <ENTER> button to select the menu function currently displayed, or to enable menu option. To return to the previous option or menu without changing the value, press the <MODE/ESC> button.



7. Menu for Control Display

MASTER PROJECT		INSTRUCTION FOR USE
INFORMATION	ADDRESS	1~512
	RUNTIME	TIME
	VERSION	
	TEMPERATURE	MAIN BOARD
		LIGHT SOURCE
	FAN SPEED	G1
		G2
SETTING	RESET	REBOOT
		DEFAULT DATA
	CHANNEL SET	29/40
	SIGNAL	DMX512/ARTNET/PROGRAM
	OFFLINE SET	HOME/HOLD
	FAN MODE	NORMAL/PERFORMANCE/QUIET
	WIRELESS SET	ON/OFF
	ADJUST	
	ARTNET SET	IP address
		Subnet mask
		Universe
LAMP	AUTO ON	NC
	LIGHT UP	NC
	LAMP ADJUST	NC
	LAMP FAIL	NC
DISPLAY	LANGUAGE	ENGLISH
	BACKLIGHT	ON/OFF/FLASH
	REVERSE	ON/OFF
USER	SETTING LOCK	Input code
	KEY LOCK	ON/OFF
	TEST	ON/OFF
	PROGRAM	SELECT PROGRAM 1~8
		PROGRAM 1~8